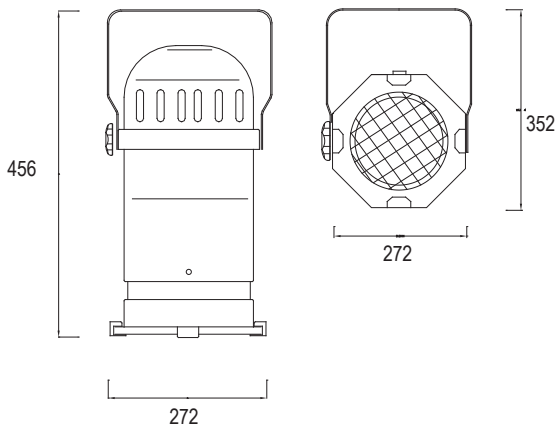


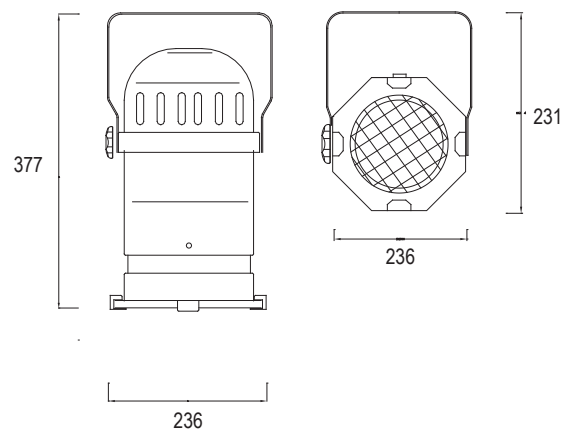
# Parcan Series

**artistic LDR** parcons are constructed using aluminum alloy material available in polished or black finishing and shall be able to withstand high temperature without discoloration. The yoke design ensures angle of installation does not change due to heat. Other critical components include the high quality porcelain connectors, high temperature cable and the metal protective screen.



## aLDR Par 64

Voltage	AC240V
Wattage	1000W
Body Weight (N/G)	1.7kgs/ 1.78kgs
Body Material	Aluminium
Color	Polish-Black
Cable	PVC 0.8m
Filter/frame	Included 244 x 244mm
Lamp socket	GX16D
Dimensions	272 x 272 x 456 (LxWxH)



## aLDR Par 56

Voltage	AC240V
Wattage	300W
Body Weight (N/G)	1.34kgs/ 1.4kgs
Body Material	Aluminium
Color	Polish-Black
Cable	PVC 0.8m
Filter/frame	Included 217 x 217
Lamp socket	GX16D
Dimensions	236 x 231 x 377 (LxWxH)