

Coolbeam zoom spotlight series

Coolbeam Zoom Spotlight series utilise the latest optical technique, which produces even illumination, creating unique and real scenes on the stage.

Its light body, constructed using superior quality aluminum for outer casting offers excellent heat

artistic LDR's reflection system uses the precise ion plating film reflection bowl and aspherical plano convex lens which reflects over 95% of the visible light source forward and over 85% of the infrared ray and heats backward. The result is lower bulb temperature and longer service life. The luminosity projected is higher than 2000W ordinary tungsten lamp but the temperature generated is 50% lower which is good for the lamp filter.

Luminaires's unique construction makes the maintenance and cleaning more easy. Adjust the lamp to the best position by focus system fast and effectively.



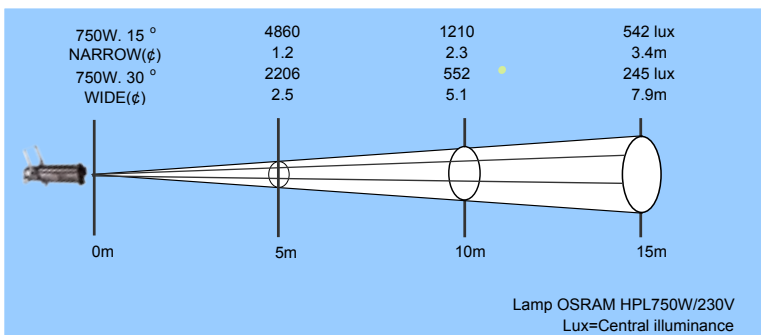
lamp holder



aLDR Coolbeam Profile P750

15° - 30° Zoom Spotlight

Voltage	240V ac	
Lamp	HPL575/ HPL 750	
Socket	G9.5	
Max. surface Temp	<200 °C	
Max. Ambient Temp	<40 °C	
Min. Safe Interval	0.4m	
Min. Throw Distance	1.5m	
N.W	8.5 Kgs	G.W: 10 Kgs
Outline size	78 x 24 x 24cm	
Packing Size	86 x 30.5 x 28cm	



Beam pattern by adjusting focus slider